

THIS DRAWING IS UNPUBLISHED.

RELEASED FOR PUBLICATION

ALL RIGHTS RESERVED.

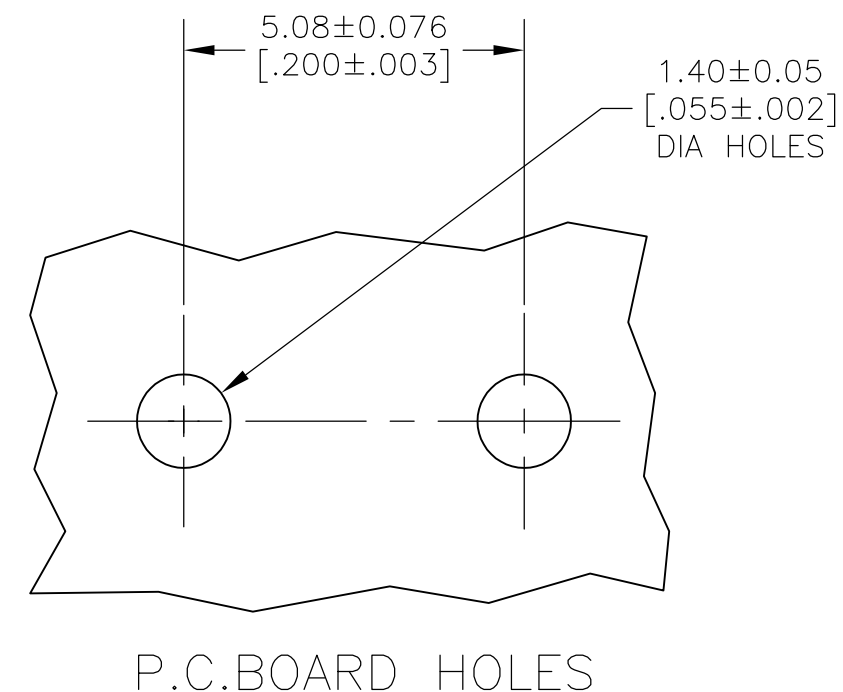
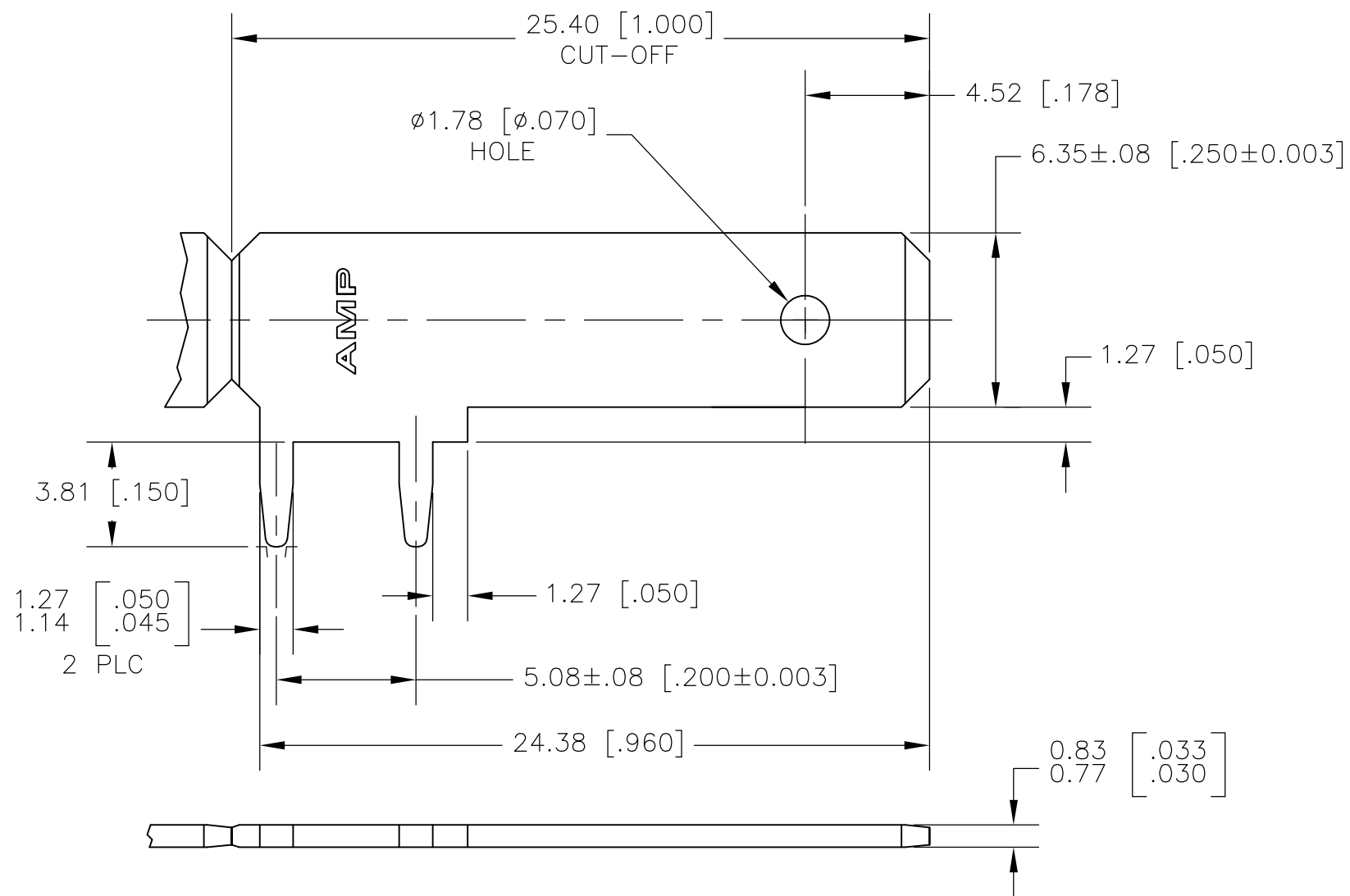
© COPYRIGHT - By -

LOC AF DIST 50

REVISIONS

P	LTR	DESCRIPTION	DATE	DWN	APVD
G		REVISED PER ECR-13-001204	24JUN13	KH	PD

- 1 CONTINUOUS STRIP ON REELS.
- 2 0.00381 [.000150] MIN TIN OVER
0.00127 [.000050] MIN NICKEL.



63952-1

PART NO.

THIS DRAWING IS A CONTROLLED DOCUMENT.		DWN JR RUTH 11DEC00	TE Connectivity			
DIMENSIONS: mm [INCHES]		CHK MS FEHER 11DEC00				
TOLERANCES UNLESS OTHERWISE SPECIFIED:		APVD G PORTA 11DEC00	NAME			
0 PLC ± - 1 PLC ± - 2 PLC ± 0.25 [.010] 3 PLC ± - 4 PLC ± - ANGLES ± -		PRODUCT SPEC -	TAB, FASTON, 6.35 [.250] SERIES			
MATERIAL BRASS	FINISH 2	APPLICATION SPEC 114-2115	SIZE A3	CAGE CODE 00779	DRAWING NO C-63952	RESTRICTED TO -
CUSTOMER DRAWING			WEIGHT -	SCALE 5:1	SHEET 1 OF 1	REV G